

VCX SERIES Claw Vacuum Pumps

VCX- 100, 150, 250, 300, 400 & 505

Dry Running - Oil Free – Contact Free Design



- Simple Modular Construction
- Air cooled & Direct Driven
- Low maintenance – No wear
- High Efficiency – Continuous Duty

Applications:

Packaging, CNC Routing, Wood Works, Pneumatic Conveying, Holding & Lifting, Pick and Place, Medical & Lab., Plastics Industries, Central Vacuum Systems.



Safety: CE certified (DOC)

General Description:

The VCX Series pumps are dry contact-less vacuum pumps with modular constructions consisting of compartments: pumping and gear chambers are separated by using labyrinth seals., As two claws rotate in opposite direction, the air will be sucked in the pumping chamber, compressed and discharged under pressure. In gear chamber, two gears for synchronizing of claws rotation will be placed with appropriate oil lubrication. A built in anti-suck back valve installed in inlet flange will prevent the air from flowing back into the vacuum chamber when the pump is shutdown. The pumps are directly driven by a flanged motor via a coupling.

Specifications:

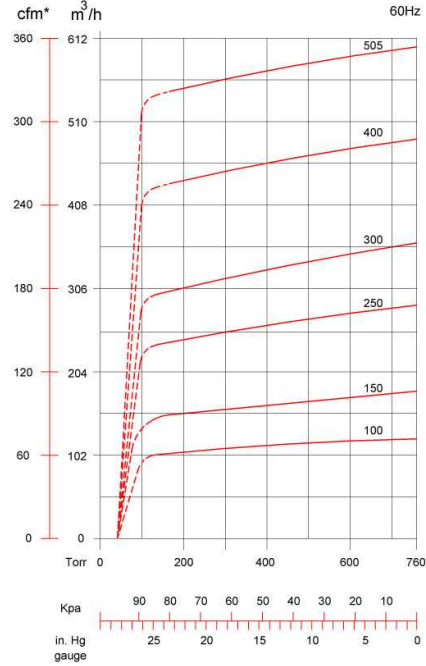
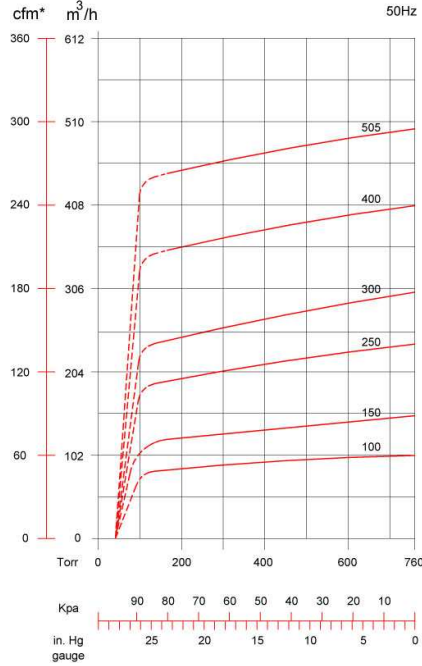
Model		VCX 100	VCX 150	VCX 250	VCX 300	VCX 400	VCX 505
M3/ Hour	60Hz	120	180	282	360	480	600
	50Hz	100	150	234	300	400	500
Ulti. Va. Max.	Torr	722 Torr gage (50mbar abs)					
Ulti. Va. Conti.	Torr	640		610		580	
Kw	60Hz	2.6	3.6	4.8	6.6	9	11
	50Hz	2.2	3	4	5.5	7.5	9
RPM	60/50Hz	3450/2850					
Voltage Available		208~230/460V, 220~240 /380~420V, 400/690V					
dB(A), Ave	60Hz	82	82	82	83	85	85
	50Hz	78	79	78	79	82	82
Oil Capa (Gear box)	Ltr	0.5		0.75			
Inlet / Outlet Conn.	**BSP(G)	1-1/2"		2"		3"	
L* x W x H (mm)	60Hz	698x525x368	751x525x368	901x698x524	916x698x524	1039 x899x 544	1230 x899x 544
	50Hz			884x698x524		1001x899x 544	1058x899x 544
Amb. Operating Temp.	(°C)	5°C ~40°C					
Approx. *Weight (Kg).	60Hz	113	125	224	228	312	317
	50Hz	108	121	218	235	280	285
Accessories		Non Return Valve, Vacuum Regulator, Exhaust Silencer					

Note: 1) * Length varies to motor mfg 2) **NPT threads available upon request

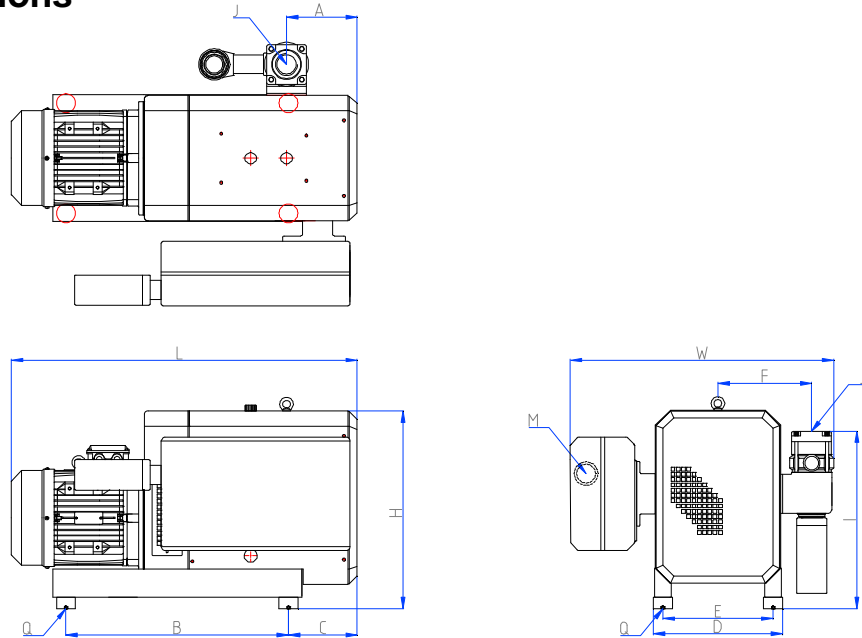
VCX SERIES Claw Vacuum Pumps

VCX- 100, 150, 250, 300, 400 & 505

Performance Curve



Dimensions



DIMENSIONS	L	W	H	B	C	E	D	F	A	I	J	M	Q
VCX-100 (2.2, 3Kw)	698	525	368	440	98	224	254	201	128	334	1-1/2"	1-1/2"	4x M8
VCX-150 (3, 4Kw)	751	525	368	440	122	224	254	201	144	334	1-1/2"	1-1/2"	4x M8
VCX-250 (4, 5.5Kw)	884/901	698	524	590	167	292	342	249	180	471	2"	2"	4x M10
VCX-300 (5.5, 6.5Kw)	916	698	524	590	182	292	342	249	187	471	2"	2"	4x M10
VCX-400 (7.5, 9Kw)	1001/1039	899	544	800	133	292	372	284	205	468	3"	3"	4x M12
VCX-505 (9, 11Kw)	1058/1230	899	544	800	152	292	372	284	215	468	3"	3"	4x M12

PCX SERIES Claw Compressors

PCX- 100, 150, 250, 300, 400 & 505

Dry Running - Oil Free – Contact Free Design



- Simple Modular Construction
- Air cooled & Direct Driven
- Low maintenance – No wear
- High Efficiency – Continuous Duty

Applications:

Transport, Pneumatic Conveying, Environmental systems, Air Sparging Applications, Fishing Farm, Central Pressure System.

Safety: CE certified (DOC)



General Description:

The PCX Series compressors are identical in internal construction to VCX pump, but are outfitted with different inlet and outlet accessories to allow for operation as a compressor. For reduction of noise, inlet silencer is installed in inlet side. For a protection of overload, a pressure safety valve or regulating valve is installed in exhaust side. The compressors are directly driven by a flanged motor via a coupling.

Specifications:

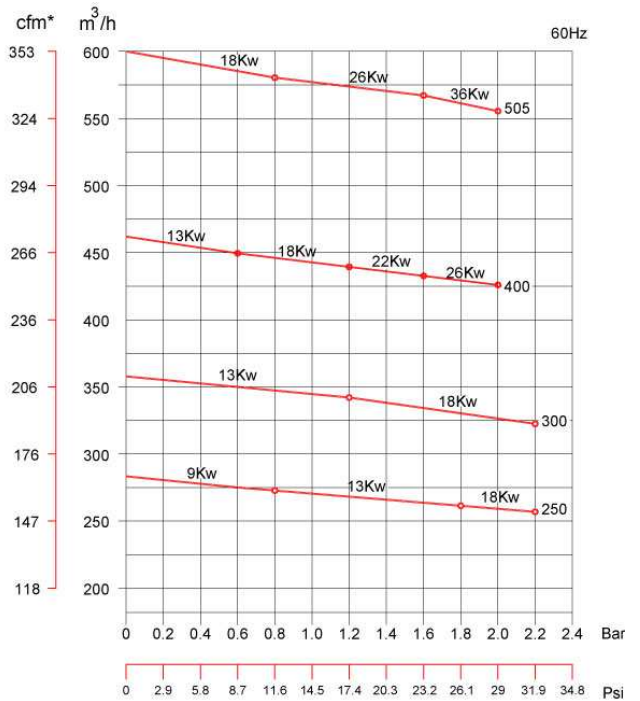
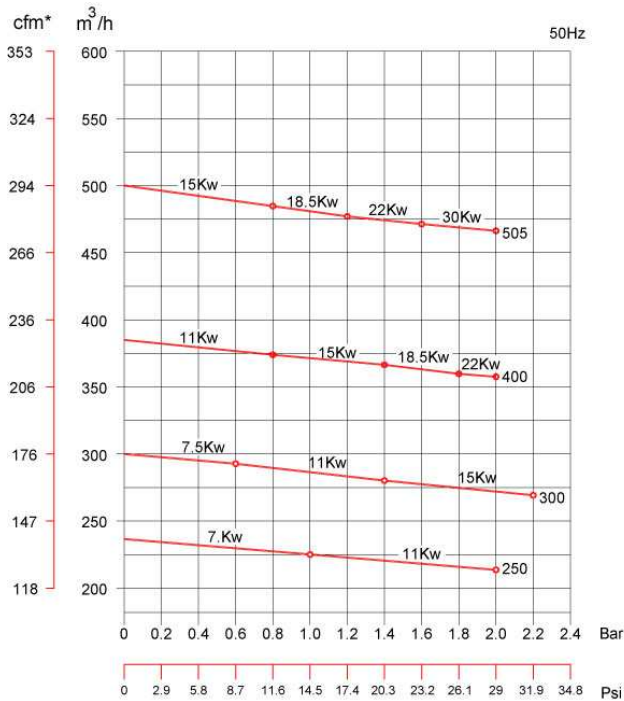
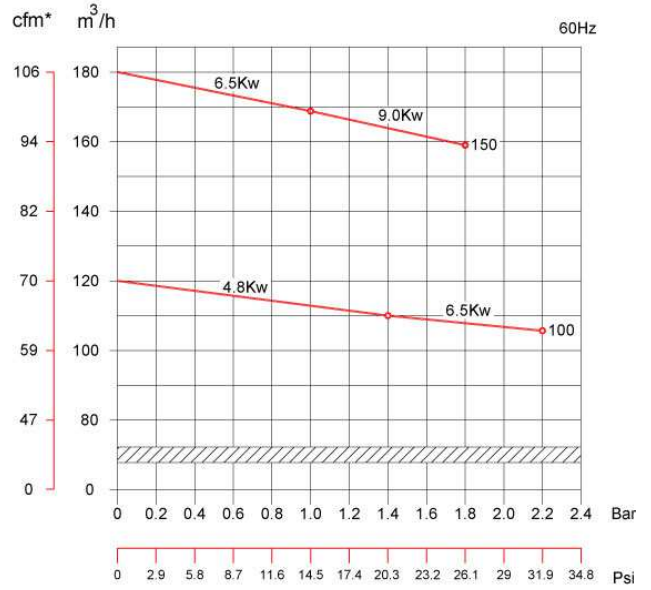
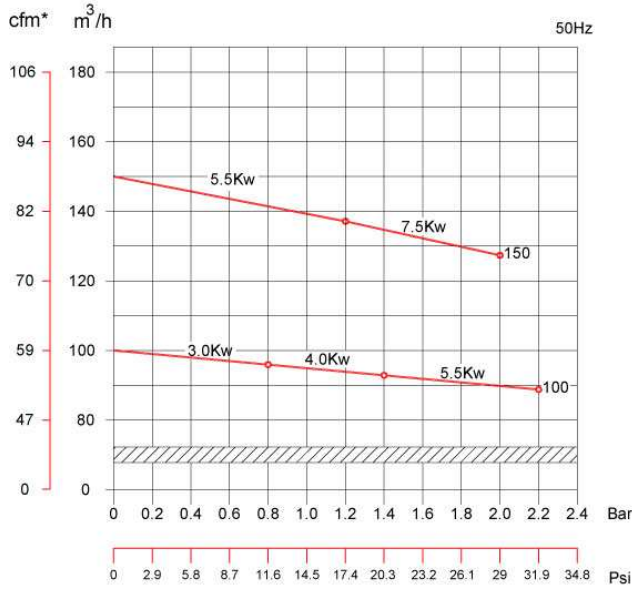
Model		PCX 100			PCX 150			PCX 250			PCX 300			PCX 400				PCX 505		
M3/ Hour	60Hz	120			180			282			360			480				600		
	50Hz	100			150			234			300			400				500		
Press. Conti., Bar	60Hz	~	1.4	2.2	1	2	0.8	1.8	2.2	~	1.2	2.2	0.6	1.2	1.6	2	0.8	-	1.6	2
	50Hz	0.8	1.4	2.2	1.2	2	1	2	~	0.6	1.4	2.2	0.8	1.4	1.8	2	0.8	1.2	1.6	2
Kw	60Hz	~	4.8	6.5	6.5	9	9	13	18	~	13	18	13	18	22	26	18	-	26	36
	50Hz	3	4	5.5	5.5	7.5	7.5	11	~	7.5	11	15	11	15	18.5	22	15	18.5	22	30
RPM - 60/50Hz	RPM	3450 / 2850																		
Voltage, Available	V	208-230/460V, 220-240 / 380-420V, 400/690V																		
dB(A), Ave	60Hz	83			85			85			85			85				85		
	50Hz	79			81			81			82			82				82		
Oil Capa (Gear box)	Ltr	0.5			0.5			0.75			0.75			0.75						
Inlet / Outlet Conn.	**BSP(G)	1-1/2"						2"						3"						
W x H (mm)		525 x 373/423 [^] (5.5kw+)			527 x 428			678 x 544			678 x 544			899 x 544/618 [^] (30/36Kw+)						
L* (mm)	60Hz	-	778	778	809	809	939	1100	1100	-	1125	1125	1211	1211	1237	1237	1230	-	1256	1330
	50Hz	698	731	778	809	809	939	1100	-	954	1125	1125	1211	1211	1211	1237	1230	1230	1256	1330
Amb. Operating Temp	(°C)	5°C -40°C																		
Approx. *Weight (Kg).	60Hz	~	135	150	165	175	240	267	285	~	276	294	403	423	450	470	438	-	485	555
	50Hz	108	120	140	155	165	220	247	~	230	256	290	383	403	423	450	418	438	465	525
Accessories		Pressure Regulator, Safety Valve, Inlet Silencer, and Inlet Filter																		

Note: 1) * Length varies to motor mf g 2) **NPT threads available upon request

PCX SERIES Claw Vacuum Pumps

PCX- 100, 150, 250, 300, 400 & 505

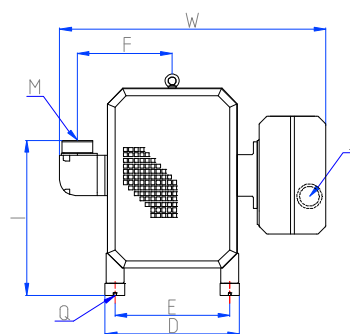
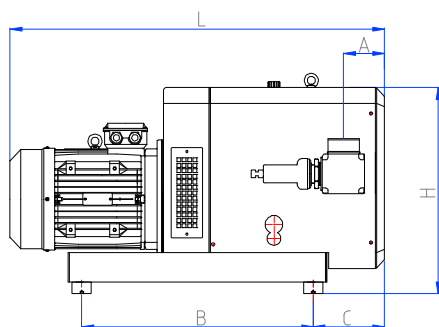
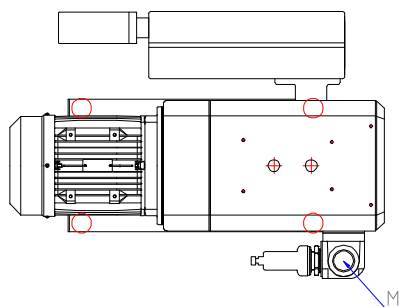
Performance Curve



PCX SERIES Claw Vacuum Pumps

PCX- 100, 150, 250, 300, 400 & 505

Dimensions



DIMENSIONS	L	W	H	B	C	E	D	F	A	I	J	M	Q
PCX-100, (3, 4, ^4.8~6.5Kw)	698/731/~778	525	373/~423	440/~640	97	224	274	201	69	300/~350	1-1/2"	1-1/2"	4XM10
PCX-150, (5.5~9Kw)	809	525	423	460	121	224	274	201	69	350	1-1/2"	1-1/2"	4XM10
PCX-250, (7.5~9, ^11~18Kw)	939/~1100	678	524/~544	590/~800	167/~186	292	342/~372	242	105	394/~414	2"	2"	4XM10/~M12
PCX-300, (7.5, ^11~18Kw)	954/~1125	678	524/~544	590/~800	182/~201	292	342/~372	242	105	394/~414	2"	2"	4XM10/~M12
PCX-400, (11~18.5, ^22~26Kw)	1211/~1237	899	544	800	133	292	372	282	205	468	3"	3"	4XM12
PCX-505, (15~18.5/22~26, ^30~36Kw)	1230/1256/~1330	899	544/~618	800/~1000	152/~148	292	372	282	215	468/~543	3"	3"	4XM12